



Step-by-step installation instructions:

1. Ensure the aperture is free from dust and debris.
2. Cut the necessary width and length of AGNI-Sleeve.
3. Make two slits from the opposite sides of AGNI-Sleeve.
4. Insert AGNI-Strap into the slits.
5. Wrap the pipe with AGNI-Sleeve (overlap is not required).
6. Ensure that AGNI-Sleeve extends 25mm from both sides of the separating element.
7. Fix AGNI-Sleeve with AGNI-Strap. AGNI-Strap shall be installed on the top of AGNI-Clips.
8. Fix AGNI-Clips to concrete using masonry screws.
9. Apply AGNI-Seal to a depth of 20mm in the annular gap between the AGNI-Sleeve and the concrete floor/ceiling.



Technical Information

Substrate	• Min. 120mm concrete floor/ceiling
Service range	DN 32mm up to 100mm PVC-U pipe
Annular gap	6 - 16mm
AGNI-Products	AGNI-Sleeve, AGNI-Strap, AGNI-Clips, AGNI-Seal
Protection installation	Asymmetrical (installed from above the floor/ceiling only)

Compliance Information

Standards	AS1530.4-2014, AS4072.1-2005
FRR/FRL	-/120/120
Reference	PF24073

Disclaimer
Agnitek reserves the right to modify product specifications without prior notice due to its ongoing research, development & certification programme. The information in this document is provided in good faith and is intended for guidance purposes only. Any accompanying drawings are solely for illustrative purposes. Since Agnitek cannot oversee installation methods or ensure site conditions, no warranties, expressed or implied, are intended regarding the products' actual performance. We do not accept liability for any loss, damage, or injury from using this information. Please take a look at the test reports displayed on a relevant AGNI-System webpage for all compliance specifics.



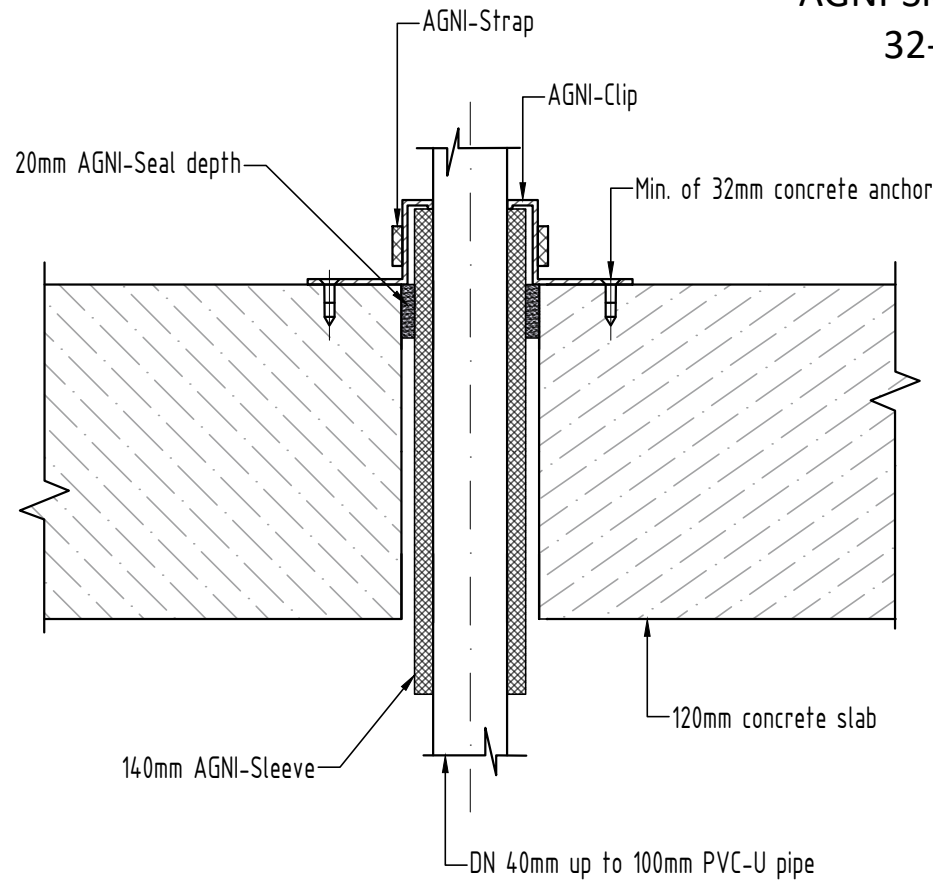
Agnitek
FIRE RATED TECHNOLOGY

8 Clare St Bayswater
VIC 3153, AUSTRALIA
www.agnitek.com.au

Date 18.07.2024

AGNI-Sleeve in 120mm Concrete Floor 32-100mm PVC Pipe, Top Fix FRR -/120/120

System ID# FC806



Technical Information

Substrate	• Min. 120mm concrete floor/ceiling
Service range	DN 32mm up to 100mm PVC-U pipe
Annular gap	6 - 16mm
AGNI-Products	AGNI-Sleeve, AGNI-Strap, AGNI-Clips, AGNI-Seal
Protection installation	Asymmetrical (installed from above the floor/ceiling only)

Compliance Information

Standards	AS1530.4-2014, AS4072.1-2005
FRR/FRL	-/120/120
Reference	PF24073



Agnitek
FIRE RATED TECHNOLOGY

8 Clare St Bayswater
VIC 3153, AUSTRALIA
www.agnitek.com.au

Disclaimer
Agnitek reserves the right to modify product specifications without prior notice due to its ongoing research, development & certification programme. The information in this document is provided in good faith and is intended for guidance purposes only. Any accompanying drawings are solely for illustrative purposes. Since Agnitek cannot oversee installation methods or ensure site conditions, no warranties, expressed or implied, are intended regarding the products' actual performance. We do not accept liability for any loss, damage, or injury from using this information. Please take a look at the test reports displayed on a relevant AGNI-System webpage for all compliance specifics.

Date	18.07.2024
------	------------